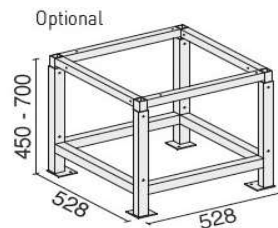
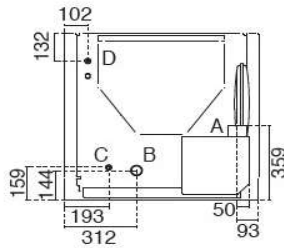
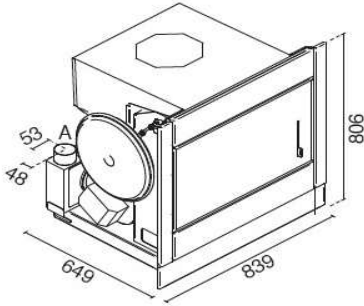


## Saturno 18 & 24 Inset Pellet Boiler



- A = Ø 80 mm Scarico fumi / Flue / Cheminée / Rauchabzug  
Evacuación de humos / Descarga de fumos
- B = Ø 42 mm Aria combustione / Combustion air / Air de combustion / Verbrennungsluft  
Aire para la combustión / Ar de combustão
- C = 3/4 Ritorno riscaldamento / Heating return / Retour chauffage / Heizungsrücklauf  
Retorno calentamiento / Retorno aquecimento
- D = 3/4 Andata riscaldamento / Heating flow / Départ chauffage / Heizungsanlauf  
Ida calentamiento / Partida do aquecimento

18kw	Technical Details	24kw
18.2 Kw	<b>Total Power Input maximum</b>	24kw
16.5kw	<b>Total power output</b>	22kw
2.4kw - 11kw	<b>Output to Water</b>	18kw -5.2kw
Class A+	<b>Energy Class</b>	Class A+
Up to 92%	<b>Efficiency</b>	Up to 95%
Min 0.9kg, Max 3.7kg	<b>Pellet Consumption / h</b>	Min 1.5kg, Max 5.2kg
190kg	<b>Weight</b>	190kg
28kg	<b>Pellet Storage Tank</b>	28kg

### Shared Features

**Front glass door with black etching**  
**Front drawer for pellet loading**  
**28 kg Pellet tank**  
**5 operating power levels**  
**Installed on extractor runners**  
**Removable ash tray for ash removal**  
**Removable handle**

**Remote control supplied**  
**Safety thermostat**  
**Suitable for external thermostat**  
**Water Pressure Transducer**  
**Circulation pump**  
**Expansion tank**  
**Safety valve**

H a  c o

S T O V E S

Hamco Heating Ltd  
 Cloncollig  
 Church Road  
 Tullamore  
 Co. Offaly  
 05793 21302  
[info@hamco.ie](mailto:info@hamco.ie)  
[www.hamco.ie](http://www.hamco.ie)