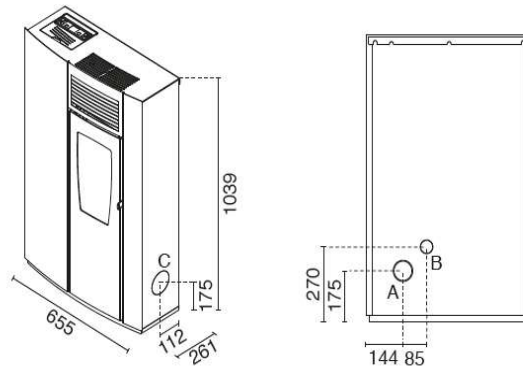


Perla 7.5kw Slim Pellet Stove



A = Ø 80 mm Scarico fumi / Flue / Cheminée / Rauchabzug
Evacuación de humos / Descarga de fumos
B = Ø 51 mm Aria combustione / Combustion air / Air de combustion /
Verbrennungsluft / Aire para la combustión / Ar de combustão
C = Ø 80 mm Scarico fumi laterale / Flue laterale / Haut de Fumée / Seitlich
Abgasstutzen / Salida humos lateral / Descarga de fumos lateral



Colour Option



Rosso ruvido
Rough red



Ambrà ruvido
Rough amber



Nero ruvido
Rough black

Technical Data

Total introduced power: max 7.5 kW – min 3.4 kW
Nominal heat output: max 6.5 kW – min 3 kW
Efficiency: Pmax 88.5% – Pmin 90.5%
CO emission at 13% O₂: Pmax 0,010% - Pmin 0,028%
Pellet consumption: max 1.57 kg/h - min 0.7 kg/h
Reservoir capacity: 12 kg
Heatable room volume: 70 – 160 mc
Minimum distances from combustibles: side 30 cm - back 10 cm - front 100 cm
Weight: 71.6 kg
Complies with: EN14785 - BImSchV II - 15a B-VG - LRV/VKF
Flue Outlet: Rear or Side
Remote control: Optional

Features

Coating with front steel grille
Space-saving
Forced ventilation
5 operating power levels
Menu display in 6 languages
Removable handle
Side - rear smoke extraction
Safety thermostat
Suitable for external thermostat
Safety Manostat
Timer Thermostat

Hamco

STOVES

Hamco Heating Ltd
Cloncollig
Church Road
Tullamore
Co. Offaly
05793 21302
info@hamco.ie
www.hamco.ie