

Matilde 4.6kw Slim Pellet Stove

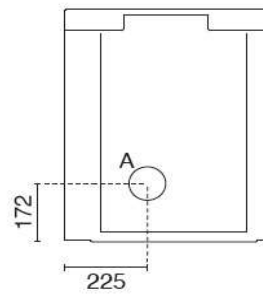
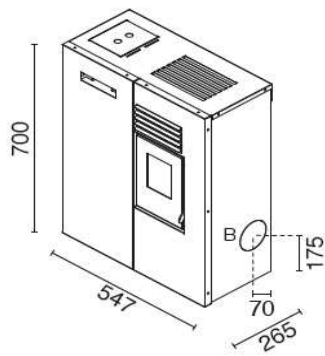


FLOOR STANDING



WALL HUNG

OR



Technical Data

Total heat Input: max 4,6 kW – min 2,1 kW
 Nominal heat output: max 4,0 kW – min 2,0 kW
 Energy efficiency class: A+
 Efficiency: Up to 93.5%
 CO emission at 13% O₂: 0.016%
 Pellet consumption: max 1,0 kg/h - min 0,5 kg/h
 Reservoir capacity: 4,7 kg
 Heatable room volume: 40 – 100 mc
 Minimum clearance: side: 300mm/ back: 40mm/ front: 1000mm
 Voltage / Frequency: 230 V / 50 Hz
 Weight: 35 kg
 Steel combustion chamber
 Stainless steel brazier
 Complies with: EN14785 - BImSchV II - LRV/VKF
 Flue outlet: Rear or Side

Features

Front glass door with black etching
 Forced ventilation
 Removable front drawer for pellet loading
 5 operating power levels
 Removable handle
 Safety thermostat
 Suitable for external thermostat
 Safety Manostat
 Timer Thermostat
 Remote control: Optional
 WIFI module for remote control: Optional
 Wall-hanging Kit: Optional

Hamco

STOVES

Hamco Heating Ltd
 Cloncollig
 Church Road
 Tullamore
 Co. Offaly
 05793 21302
info@hamco.ie
www.hamco.ie