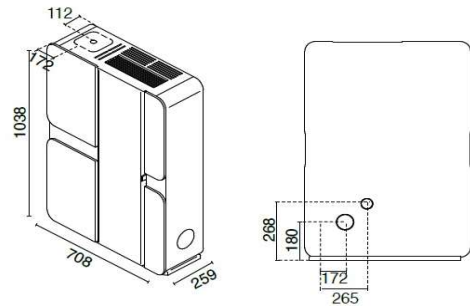


Kendra 7.5kw Slim Pellet Stove



Colour Option



Technical Data

Total introduced power: max 7.5 kW – min 3.4 kW
Nominal heat output: max 6.5 kW – min 3 kW
Efficiency: Pmax 88.5% – Pmin 90.5%
CO emission at 13% O₂: Pmax 0,010% - Pmin 0,028%
Pellet consumption: max 1.57 kg/h - min 0.7 kg/h
Reservoir capacity: 12 kg
Heatable room volume: 70 – 160 mc
Minimum distances; side 300 - back 100 - front 1000mm
Weight: 71.6 kg
Complies with: EN14785 - BImSchV II - 15a B-VG - LRV/VKF
Flue Outlet: Rear or Side

Features

Glass Coating
Space-saving
Forced ventilation
5 operating power levels
Removable handle
Side - rear smoke extraction
Safety thermostat
Suitable for external thermostat
Timer Thermostat
Remote control: Optional
WiFi; Optional

Hamco
STOVES

Hamco Heating Ltd
Cloncollig
Church Road
Tullamore
Co. Offaly
05793 21302
info@hamco.ie
www.hamco.ie