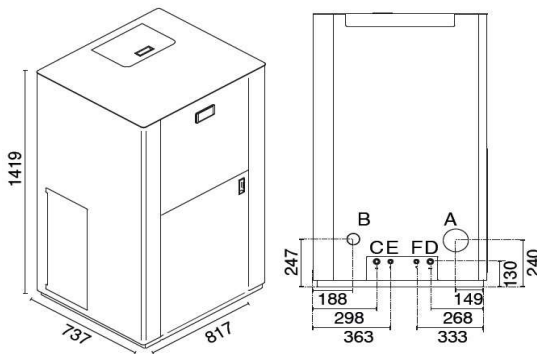


## EV 34 & EV50 Utility Pellet Boilers



- A = Ø 100 mm Scarico fumi / Flue / Cheminée / Rauchabzug / Evacuación de humos / Descarga de humos
- B = Ø 50 mm Ingresso aria primaria / Primary air inlet / Entrée d'air primaire / Primärlufteinlass / Entrada aire primario / Admissão de ar primário
- C = 3/4 Ritorno riscaldamento / Heating return / Retour chauffage / Heizungsrücklauf / Retorno calentamiento / Retorno aquecimento
- D = 3/4 Andata riscaldamento / Heating flow / Départ chauffage / HeizungsVorlauf / Ida calentamiento / Partida do aquecimento
- E = 1/2 Entrata acqua fredda sanitaria / Incoming cold water / Entrant eau froide / Einströmende kalte Wasser / Entrada agua fría sanitaria / Entrada de água fria sanitária
- F = 1/2 Prelievo acqua calda sanitaria / Sampling hot water / Echantillonnage de l'eau chaude / Sampling heißem Wasser / Retirada agua caliente sanitaria / Recolha de água quente sanitária

EV 34	Technical Details	EV50
34 Kw	Total Power Input maximum	47.5kw
8.5kW – 31.5kW	Water heat output	12kw - 43kw
Class A+	Energy Class	Class A+
Up to 94.5%	Efficiency	Up to 91%
Min 2.0kg, Max 7.2kg	Pellet Consumption	Min 2.5kg, Max 9.9kg
315kg	Weight	350kg
90kg	Pellet Storage Tank	90kg

### Shared Features

- Self-cleaning brazier
- Unburnt pellet recirculation system
- Automatic Eco-box cleaning
- Automatic turbulator cleaning
- Circulation pump
- Expansion tank
- Safety valve

- Continuous fan motor operation for optimum silent operation
- Removable ash drawer in a separate compartment
- Cleaning every 10-14 days @ 8 hours use per day
- Double door
- High efficiency insulation
- 5 operating power levels
- Low maintenance

H a m c o

S T O V E S

Hamco Heating Ltd  
 Cloncollig  
 Church Road  
 Tullamore  
 Co. Offaly  
 05793 21302  
[info@hamco.ie](mailto:info@hamco.ie)  
[www.hamco.ie](http://www.hamco.ie)